



WPBA10

### Industry Standards

UL 508, Types 12 & 13  
CSA Certified, Types 12 & 13  
NEMA/EEMAC Type 12 & 13  
JIC EL-1-71

 UL Files E64791

 CSA File LL66078

## FEATURES-SPECIFICATIONS

### Applications

Designed for use where slanted control surfaces are wanted. Enclosures may be mounted in a variety of ways to meet specific requirements. Receives all standard brands of oil-tight pushbuttons, switches and pilot lights. Provide protection from dirt, dust, oil and water.

### Construction

- Fabricated from 14 gauge steel
- Closed cell oil resistant neoprene gasket

- Continuously welded seams ground smooth
- External mounting plate, top and bottom of enclosure
- Captivated cover screws thread into sealed wells
- Standard "4-way" pushbutton holes accept all brands of oil-tight push-buttons, switches and pilot lights
- Enclosures 7.25" x 6.25" x 6.75" and larger have internal detachable

hinges to hold cover open during wiring, yet permit quick removal

- Grounding provisions provided

### Finish

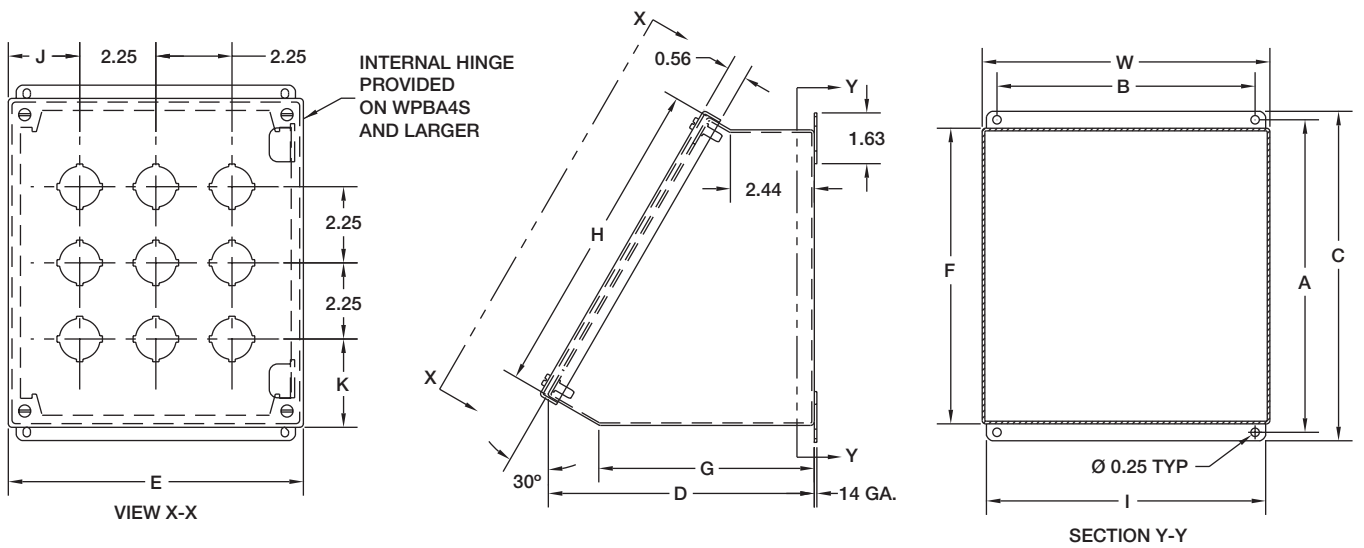
- ANSI-61 gray polyester powder inside and out over phosphatized surfaces

### Accessories

- See pages J1-J19

### WPBA SERIES OPERATOR INTERFACE • 30.5MM SLOPING FRONT PUSHBUTTON ENCLOSURES

CATALOG NUMBER	BODY/DOOR STEEL GAUGE	ENCLOSURE SIZE H X W X D	MOUNTING A X B	OVERALL C X E	F	G	I	J	K
WPBA1	14/14	3.50x3.25x4.78 (89x83x121)	4.03x2.38 (102x60)	4.53x3.56 (115x90)	3.53 (90)	3.31 (84)	3.00 (76)	1.78 (45)	1.88 (48)
WPBA2	14/14	3.50x5.50x4.78 (89x140x121)	4.03x4.63 (102x117)	4.53x5.81 (115x148)	3.53 (90)	3.31 (84)	5.25 (133)	1.78 (45)	1.88 (48)
WPBA3	14/14	3.50x7.75x4.78 (89x197x121)	4.03x6.88 (102x175)	4.53x8.06 (115x205)	3.53 (90)	3.31 (84)	7.50 (191)	1.78 (45)	1.88 (48)
WPBA4	14/14	3.50x10.00x4.78 (89x254x121)	4.03x9.13 (102x232)	4.53x10.31 (115x262)	3.53 (90)	3.31 (84)	9.75 (248)	1.78 (45)	1.88 (48)
WPBA4S	14/14	7.25x6.25x6.66 (184x159x169)	7.28x5.38 (185x137)	7.78x6.56 (198x167)	6.78 (172)	5.19 (132)	6.00 (152)	2.16 (55)	2.63 (67)
WPBA6	14/14	7.25x8.50x6.66 (184x216x169)	7.28x7.63 (185x194)	7.78x8.81 (198x224)	6.78 (172)	5.19 (132)	8.25 (210)	2.16 (55)	2.63 (67)
WPBA8	14/14	7.25x10.75x6.66 (184x273x169)	7.28x9.88 (185x251)	7.78x11.06 (198x281)	6.78 (172)	5.19 (132)	10.50 (267)	2.16 (55)	2.63 (67)
WPBA9	14/14	9.50x8.50x7.78 (241x216x198)	9.25x7.63 (235x194)	9.75x8.81 (248x224)	8.75 (222)	6.31 (160)	8.25 (210)	2.16 (55)	2.63 (67)
WPBA10	14/14	7.25x13.00x6.66 (184x330x169)	7.28x12.13 (185x308)	7.78x13.31 (198x338)	6.78 (172)	5.19 (132)	12.75 (324)	2.16 (55)	2.63 (67)
WPBA12	14/14	7.25x15.25x6.66 (184x387x169)	7.28x14.38 (185x365)	7.78x15.56 (198x395)	6.78 (172)	5.19 (132)	15.00 (381)	2.16 (55)	2.63 (67)
WPBA12S	14/14	11.75x8.50x8.91 (298x216x226)	11.19x7.63 (284x194)	11.69x8.81 (297x224)	10.69 (271)	7.44 (189)	8.25 (210)	2.16 (55)	2.63 (67)
WPBA16	14/14	7.25x19.75x6.66 (184x502x169)	7.28x18.88 (185x479)	7.78x20.06 (198x510)	6.78 (172)	5.19 (132)	19.50 (495)	2.16 (55)	2.63 (67)
WPBA16S ◀	14/14	11.75x10.75x8.91 (298x273x226)	11.19x9.88 (284x251)	11.69x11.06 (297x281)	10.69 (271)	7.44 (189)	10.50 (267)	2.16 (55)	2.63 (67)
WPBA20	14/14	11.75x13.00x8.91 (298x330x226)	11.19x12.13 (284x308)	11.69x13.31 (297x338)	10.69 (271)	7.44 (189)	12.75 (324)	2.16 (55)	2.63 (67)
WPBA25	14/14	14.00x13.00x10.03 (356x330x255)	13.13x12.13 (333x308)	13.63x13.31 (346x338)	12.63 (321)	8.56 (217)	12.75 (324)	2.16 (55)	2.63 (67)
WPBA30	14/14	14.00x15.25x10.03 (356x387x255)	13.13x14.38 (333x365)	13.63x15.56 (346x395)	12.63 (321)	8.56 (217)	15.00 (381)	2.16 (55)	2.63 (67)



WPBA Hole Arrangements

